

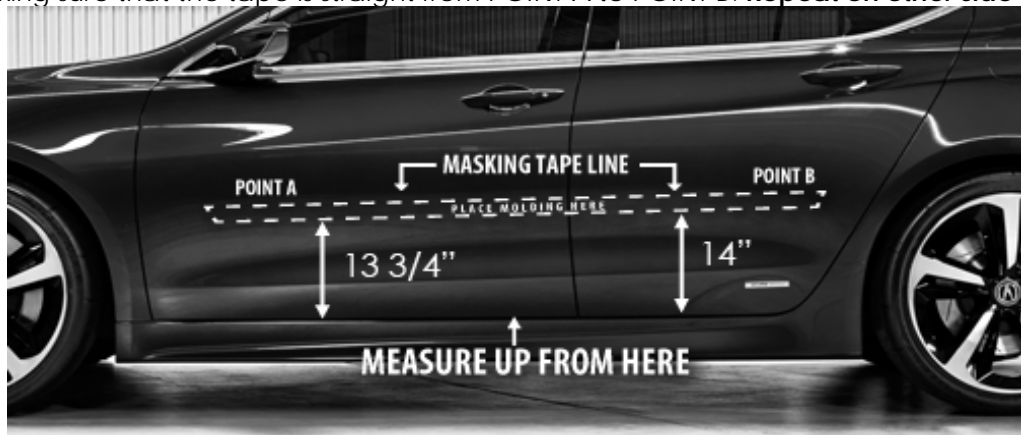
PLEASE READ ALL INSTRUCTIONS BEFORE BEGINNING INSTALLATION

With the car and part in natural sunlight, check for paint match and flaws before installing!

Parts are not returnable if installed.

1. **LOCATION** (See Diagram below):

Run masking tape **as seen in the diagram below** from POINT A to POINT B. Press tape against the vehicle, making sure that the tape is straight from POINT A to POINT B. **Repeat on other side of vehicle..**



2. **CLEAN AND PREP:**

For a proper installation, clean the surface where the molding is to be installed using the included alcohol pads. Wipe off excess residue with a clean cloth. For a strong, lasting bond, apply the **Pro Bond** promoter.

TEMPERATURE: Where cooler temperatures prevail, make sure the molding is at room temperature. The recommended metal surface temperature of the vehicle should be at least 75°F/24°C for proper installation. If the surface is cold, use a heat gun to warm before proceeding with installation.

PROMOTER: Supplied is a crush swab **Pro Bond** self-applicator. Squeeze the applicator until you feel the applicator "crush". When the applicator becomes wet on the end, it is ready for use. Quickly apply a thin coat of **Pro Bond** below the masking tape line, no further than 1 ¼" below the tape. Be careful not to go lower than 1¼" as **Pro Bond** could dull the paint surface. Wait for approximately 2 minutes for the coat of **Pro Bond** to dry before applying molding.

3. **INSTALLATION:**

BEFORE STARTING, peel back 12" of the red liner, removing the rest of the liner as you install. **Be sure to remove die cut end of red liner from molding.** **DO NOT TOUCH THE EXPOSED ADHESIVE** with your fingers during the installation (**NOTE: excess skin oil will affect adhesion**).

APPLY THE MOLDING the top of the molding should follow along the bottom of your masking tape line, which is your guide; peel off the rest of the red liner as you go.

AFTER THE MOLDING has been installed, use a soft cloth and apply pressure along the entire length of the molding to insure proper adhesion. Remove masking tape, and you will have an OEM style Custom Body Side Molding that will give you many years of protection.

